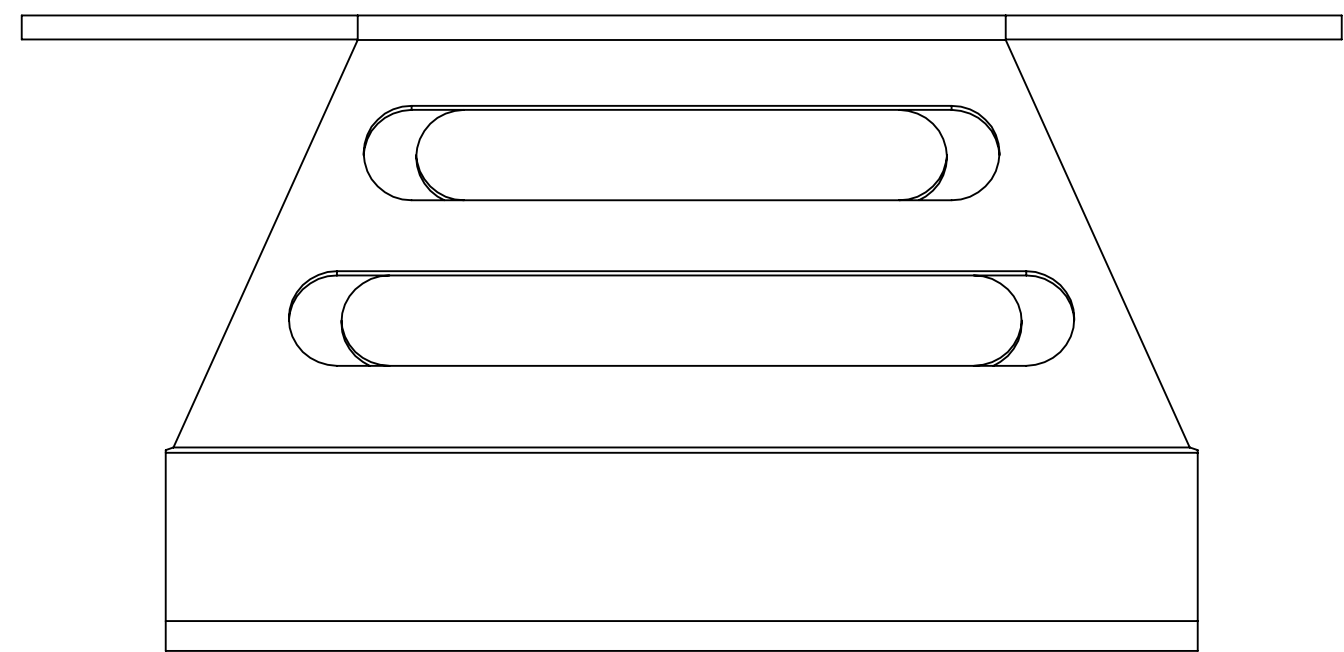
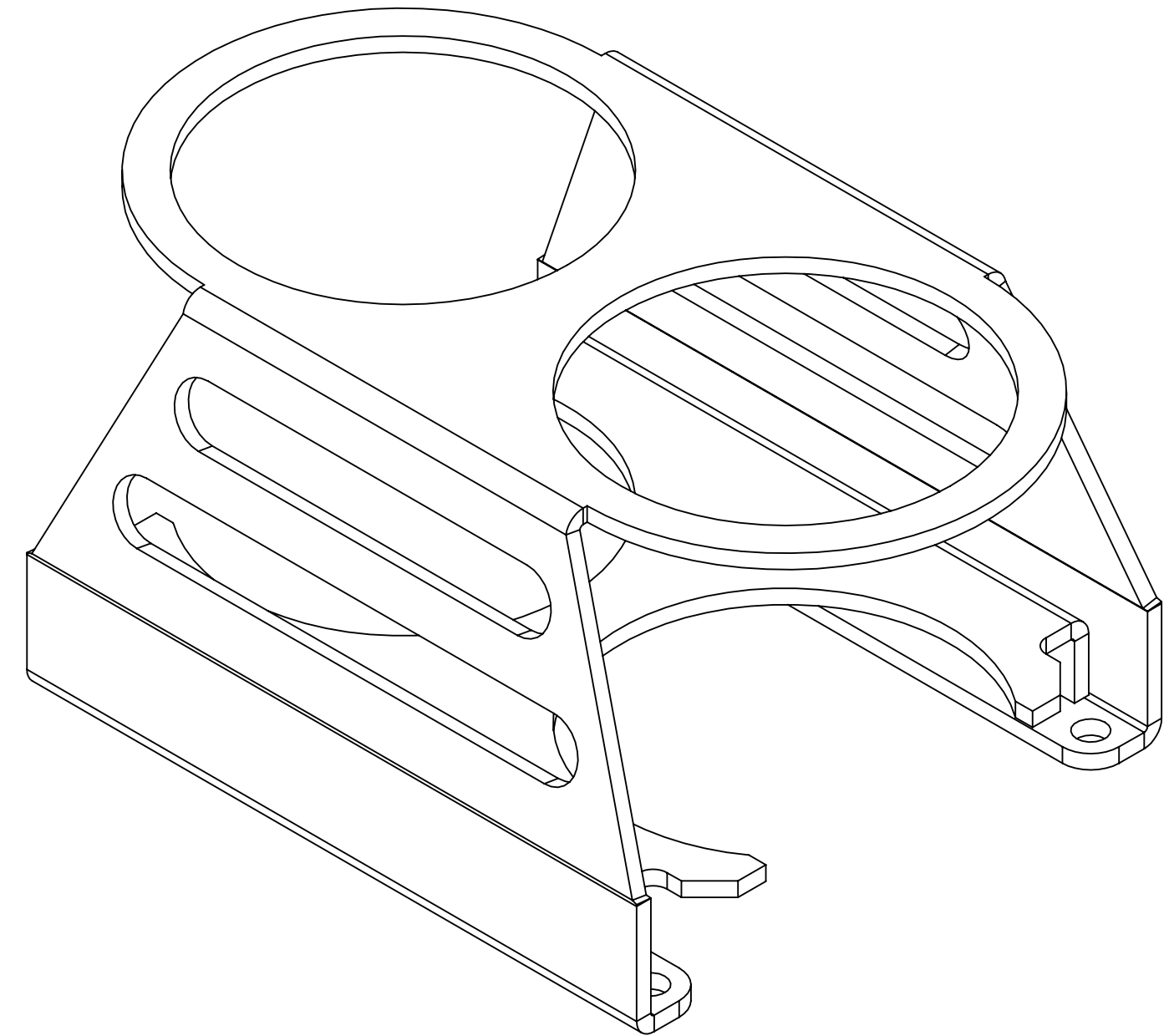


Install supplied #14 screws 4 plcaes.

Drill thru shifter housing with supplied #78 drill bit.



Mount to the RZR Shifter housing. Locate as desired. Be sure the shifter clears the holder before mounting!

Polaris Shifter housing.

